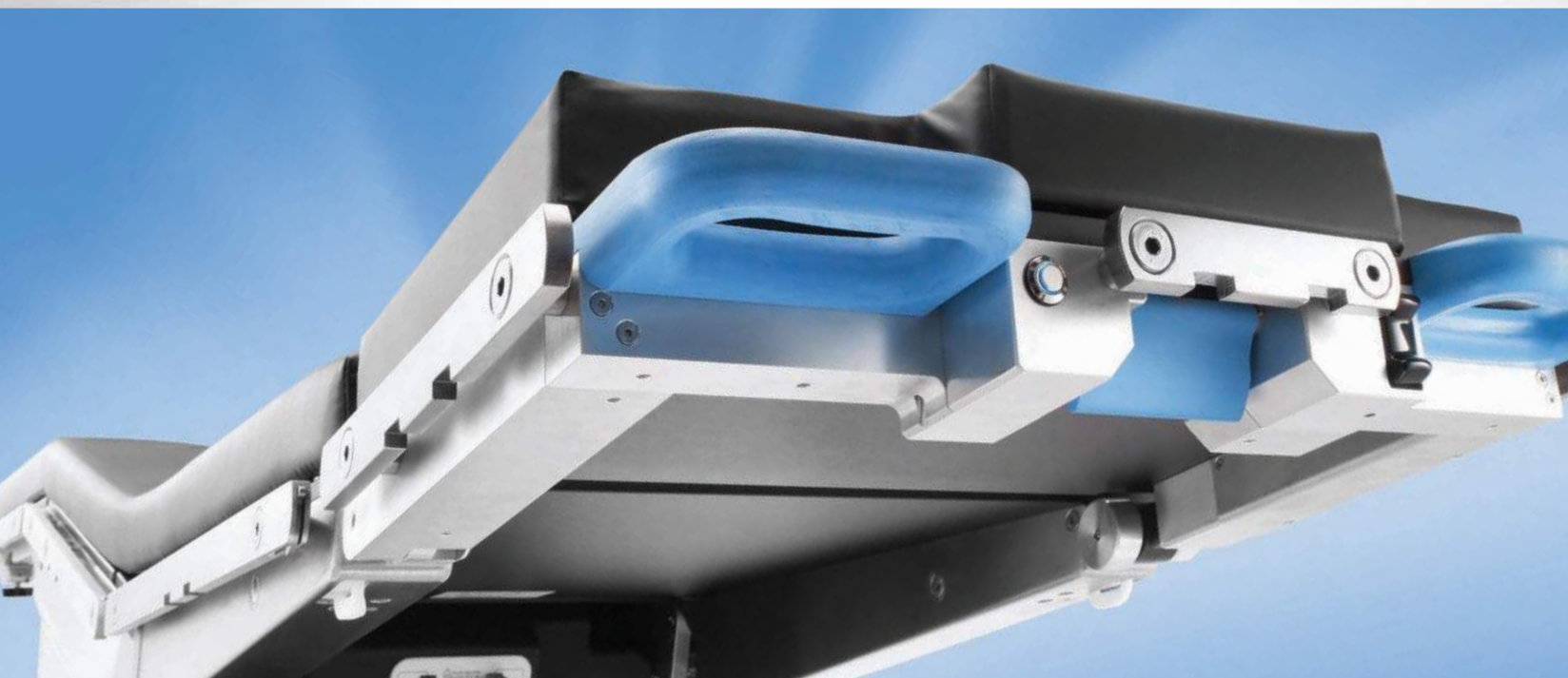


The New Benchmark for Surgical Versatility

STERIS® 5085 AND 5085 SRT SURGICAL TABLES



ADVANCING CARE THROUGH PRACTICAL INNOVATION

 **STERIS®**

Introducing the answer to today's changing surgical environment.



New surgical techniques and patients demand a table that instantly adapts with all the versatility, handling and speed you need. The STERIS® 5085 and 5085 SRT deliver with industry-leading innovations specifically designed for the OR of today and tomorrow.

You can do more. Your table should, too.

The 5085 and 5085 SRT quickly and easily adapt to virtually every surgical specialty. They do away with inflexible, dedicated specialty tables that limit OR productivity. A single table accommodates the following procedures and more:

- Cardiothoracic
- Endovascular
- Bariatric
- ENT/Ophthalmology
- Orthopedic
- Gynecologic/Obstetric
- Robotic
- Urologic/Kidney



Your patients are heavier than ever.

Our higher weight limit accommodates today's heavier patients and increased bariatric surgeries. Both the 5085 and 5085 SRT provide an exceptionally low height for MIS, robotic and bariatric techniques, without sacrificing the height needed for orthopedic and cardiac procedures.

Better imaging means better outcomes.

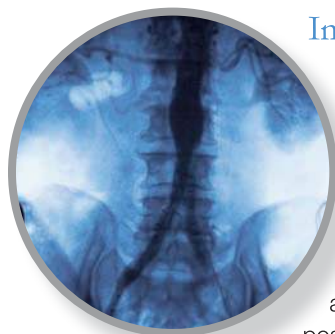
One of the industry's largest imaging areas permits the clear, high quality images crucial to today's MIS, cardiothoracic, orthopedic and neurosurgical procedures. Radiolucent construction provides crisp imaging, while the narrow column and generous longitudinal slide allows 100% access for the C-arm and surgical team without patient reorientation.

Intuitive controls save valuable OR time.

Our intuitive, data-rich hand control puts you in the driver's seat. An easy-to-read LCD window telegraphs table positioning data, making it perfect for anesthesiologists behind the drape.

Pre-programmed, backlit buttons allow quick, one-touch patient posturing, even in darkened

ORs. The familiar 4-section tabletop articulates to virtually every patient posture, giving surgeons unrestricted, time-saving access to the operative site.



The STERIS® 5085 SRT

THE WORLD'S FIRST "CROSSOVER" TABLE.

The 5085 SRT is an elegantly-designed surgical table that *slides, rotates and transports* patients throughout the perioperative area. A unique drive wheel allows one caregiver to safely transport a patient from pre-op to OR to post-op without cumbersome red-zone gurneys or trolleys. It is the only surgical table cleared by the FDA for patient transport, so you can use it with confidence.

Turn on a dime for unprecedented patient access.

In pivot mode, the 5085 SRT's unique, weight-bearing drive wheel locks and rotates a full 360° for unrestricted patient access, without support posts or weight calculations. It is designed to provide a safer, controlled rotation for optimal surgical flexibility, from airway avoidance to craniotomies to ENT cases.

Drive down costly non-operative time.

The innovative 5085 SRT lets you take advantage of high throughput modalities such as parallel processing to reduce non-operative time. With the 5085 SRT, you can transfer patients to the table in the holding area and prep them for surgery while the OR is being prepared. There are no unwieldy transfers of a sedated patient, and no down-time spent hunting for stretchers and orderlies or cleaning the table in the OR. In fact, the 5085 SRT can actually save you enough time over the course of a day to possibly add another case.

Reduce future OR expenses.

As your needs change, you can easily and cost-effectively upgrade the 5085 to the 5085 SRT simply by adding the drive wheel and head section. Both tables are also configured to enable ACT (Advanced Control Technology) software. They are also compatible with previously purchased accessories.

Best of all, the 5085 SRT streamlines your inventory with a single, self-contained table, eliminating the need for multiple fixed bases, table tops and trolleys.

STERIS® 5085 and 5085 SRT Tables

ADVANCING CARE THROUGH PRACTICAL INNOVATION





Integrated Manual Override System
Easy access to backup hand control and foot pedal



Exceptionally Low Table Height
Accommodates modern MIS, robotic and bariatric procedures



Easy-To-Read LCD
Large fonts and intuitive graphics provide robust information on table position, service alerts, battery power and more.



Designed with safety in mind

- Return-to-level button carefully repositions patient to maintain hemostasis
- Patient safety rails and variable speed (on SRT model) help provide safe transport
- Auto Limit Sensors™ prevent table damage from colliding sections and informs caregiver of alternative table articulation

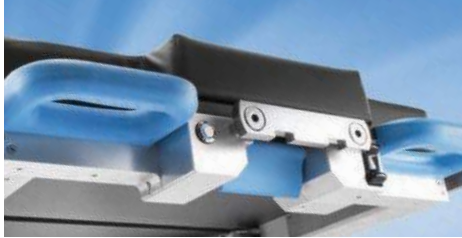
Patient Weight Capacity

1,200 lb. (544 kg) patient support, including raise/lower (when centered on the column in Normal Orientation; includes rotation in SRT model)

1,000 lb. (454 kg) full table articulation (when centered on the column in Normal Orientation; includes rotation in SRT model)

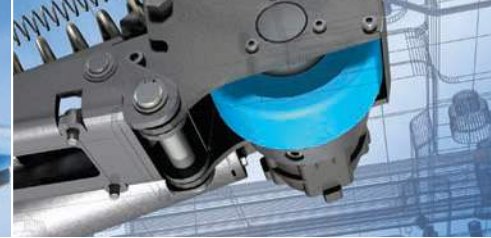
600 lb. (272 kg) full table articulation, including slide (includes rotation and transport in SRT model)





Drive Head Section

Ergonomically designed with drive and forward/reverse buttons; 5085 upgrades to 5085 SRT by adding drive wheel and head section.



Full 360° Rotation

Central drive wheel locks and pivots the entire base and table for unsurpassed OR versatility and access for surgeons and C-arms.

Unique Drive Wheel and Smart Head Section

The 5085 SRT's drive wheel and head section are designed to allow a single caregiver to safely rotate and transport a patient without gurneys or trolleys throughout the perioperative area.

- Enables the use of parallel processing techniques to reduce non-operative time by moving several components outside of the OR, including: patient transfers, inducing/waking the patient and cleaning the table
- Drive wheel is electrically operated on battery power for complete mobility
- Removable head section with integrated handles, drive engage/disengage button and toggle switch for forward/reverse propulsion enable smooth movement
- Low profile base with hydraulically operated self-compensating floor lock system enhances stability on uneven floors
- One-button return-to-transport mode gives clinicians quick access to transport

Large Imaging Area

Upper Body IA Coverage – Normal Patient Orientation

Table slid to head

5085 imaging length:
43" (1095 mm);
total imaging area:
670 sq. in. (4327 sq. cm.)

5085 SRT imaging length:
41.4" (1051 mm);
total imaging area:
635 sq. in. (4093 sq. cm.)

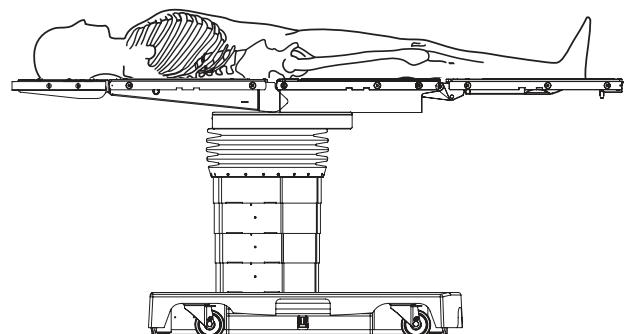
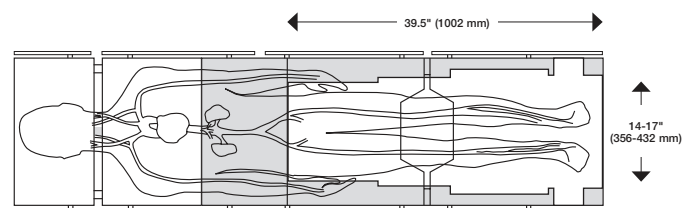
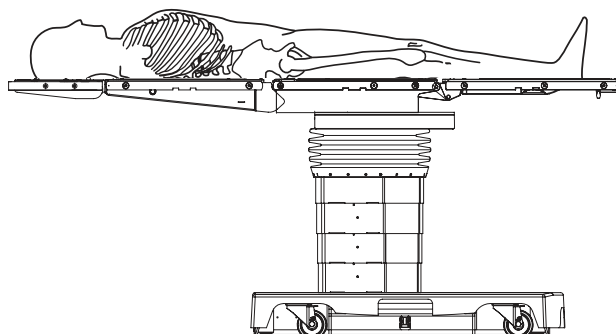
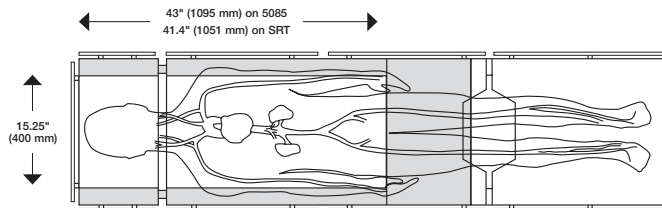
- Pacemaker insertions
- Hickman catheters
- Broviac insertions
- Shunts
- IVC filters
- Cholangiography
- Lung biopsies
- Thoracic and kidney
- Gall bladder
- Total hip revision
- Ophthalmic
- Neurosurgery
- Spinal
- Implantable defibrillation
- Endoscopy

Lower Body IA Coverage

Table slid to foot

5085/5085 SRT imaging length:
39.5" (1002 mm);
total imaging area:
629 sq. in. (4058 sq. cm.)

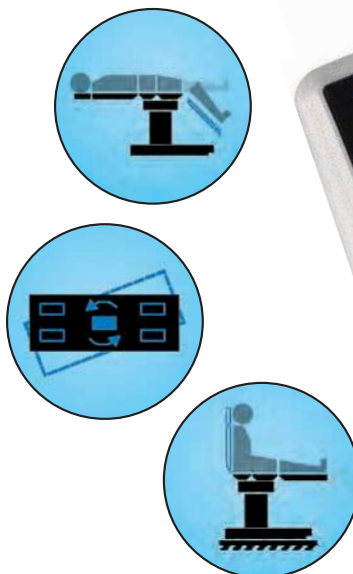
- Lower body arterial imaging
- Lower limb, non-traction orthopedics
- Femoral/popliteal bypass
- Laser angioplasty



Data-rich Hand Control

An intuitive hand control with an ergonomic design and easy-to-read LCD window communicates instantaneous table positioning data... all without lifting the sterile drape.

- Illuminated for easy viewing in darkened rooms
- LCD provides information on table section articulation, table top positioning, service requirements and potential interference through the Auto Limit Sensor™ function
- LEDs highlight key buttons such as floor lock, normal and reverse patient orientation and return-to-level
- Touch pads include menu advancement, programmed positions, floor lock activation and patient positioning (Trendelenburg, height, tilt, level and stop)



Technical Specifications

	STERIS® 5085	STERIS® 5085 SRT
Table Length	81" (2057 mm)	83" (2098 mm)
Table Width	20" (508 mm) (28" with extenders)	20" (508 mm) (28" with extenders)
Table Height Range	22.8" to 42.5" (581x1080 mm)	22.8" to 42.5" (581x1080 mm)
Tabletop Slide Range	9" (227 mm) to head, 9" to foot	9" (227 mm) to head, 9" to foot
Table Rotation	n/a*	360°
Patient Weight Capacity**	1,200 lb. (544 kg) patient support, includes raise/lower (centered on the column) 1,000 lb. (454 kg) full table articulation (centered on the column) 600 lb. (272 kg) full table articulation, including slide	1,200 lb. (544 kg) patient support, including raise/lower and rotate (centered on the column) 1,000 lb. (454 kg) full table articulation and rotation (centered on the column) 600 lb. (272 kg) full table articulation, including slide, rotate and transport
Table Shipping Weight	820 lbs. (372 kg)	850 lbs. (386 kg)
Trendelenburg/Reverse	30° / 30°	30° / 30°
Lateral Tilt (left/right)	20° / 20°	20° / 20°
Head Section	+90° to -90° (15° increments)	+60° to -90° (10° increments)
Back Section	+80° to -40°	+80° to -40°
Leg Section	0° to -105°	0° to -105°
Flex/Reflex	140° / 100°	140° / 100°
Manual Override	Yes	Yes
Perineal Cut-out	Yes	Yes
Kidney Elevator	4" (110 mm) powered	4" (110 mm) powered
Table Speed	n/a*	Forward ≤ 1.9 mph (≤3 km/h) Reverse ≤ 1.2 mph (≤2 km/h)
Stopping Distance (at 2 mph/3 km/h with 600 lb. patient)	n/a*	≤ 2' (0.6 m) with motor braking in forward motion

*Ask your STERIS representative how to upgrade your 5085 table to the 5085SRT model.

** Patient in Normal Orientation.

THE SOLUTION FOR EVERY OPERATING ROOM AND BUDGET



Amsco® 3085 SP

STERIS® 4085

STERIS® 5085

STERIS® 5085 SRT

General Surgical Table Line

From versatile ambulatory surgery centers to state-of-the-art robotic suites, STERIS offers a table for every modern OR need. Each delivers exceptional safety, quality and productivity, assuring the very best return on your table investment.

Visit www.steris.com to see a video of the 5085 SRT table in motion and hear what it can do for your facility.



STERIS Corporation, 5960 Heisley Road, Mentor, OH 44060-1834, USA • 440-354-2600 • 800-548-4873

M3302EN.2009-04, Rev. A, 5000 printed 04/2009 ©2009 STERIS Corporation. All rights reserved.