

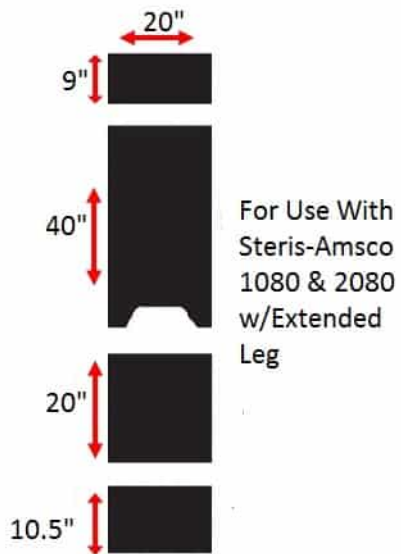
# SchureMed Steris-Amsco 1080, 2080 w/Leg Ext Surgical Table Pads

## FACTORY NEW

SchureMed surgical table pad designed for Amsco-Steris 1080/2080 operating room tables, featuring integrated leg extension support. The pad utilizes multiple layers of engineered foam to provide comprehensive pressure management and patient comfort during surgical procedures.

The multi-layer foam construction is engineered to conform to the patient's body while providing adequate support and preventing pressure-related injuries at bony prominences. SchureMed combines specialized foam materials with quality covering materials to optimize pressure-reducing properties.

With over 20 years of experience in pressure management solutions, SchureMed manufactures pads for O.R. tables, stretchers, armboards, and other surgical positioning needs. The pad is available in multiple configuration options to meet specific clinical requirements.



Stock Photo - Options May Vary

*\*Brochure and images are a general overview of the product. Actual product options may vary.*

Toll-Free | Local  
800-627-3215 | 813-740-8640

[salesteam@venturemedical.com](mailto:salesteam@venturemedical.com)

[View this product online →](#)